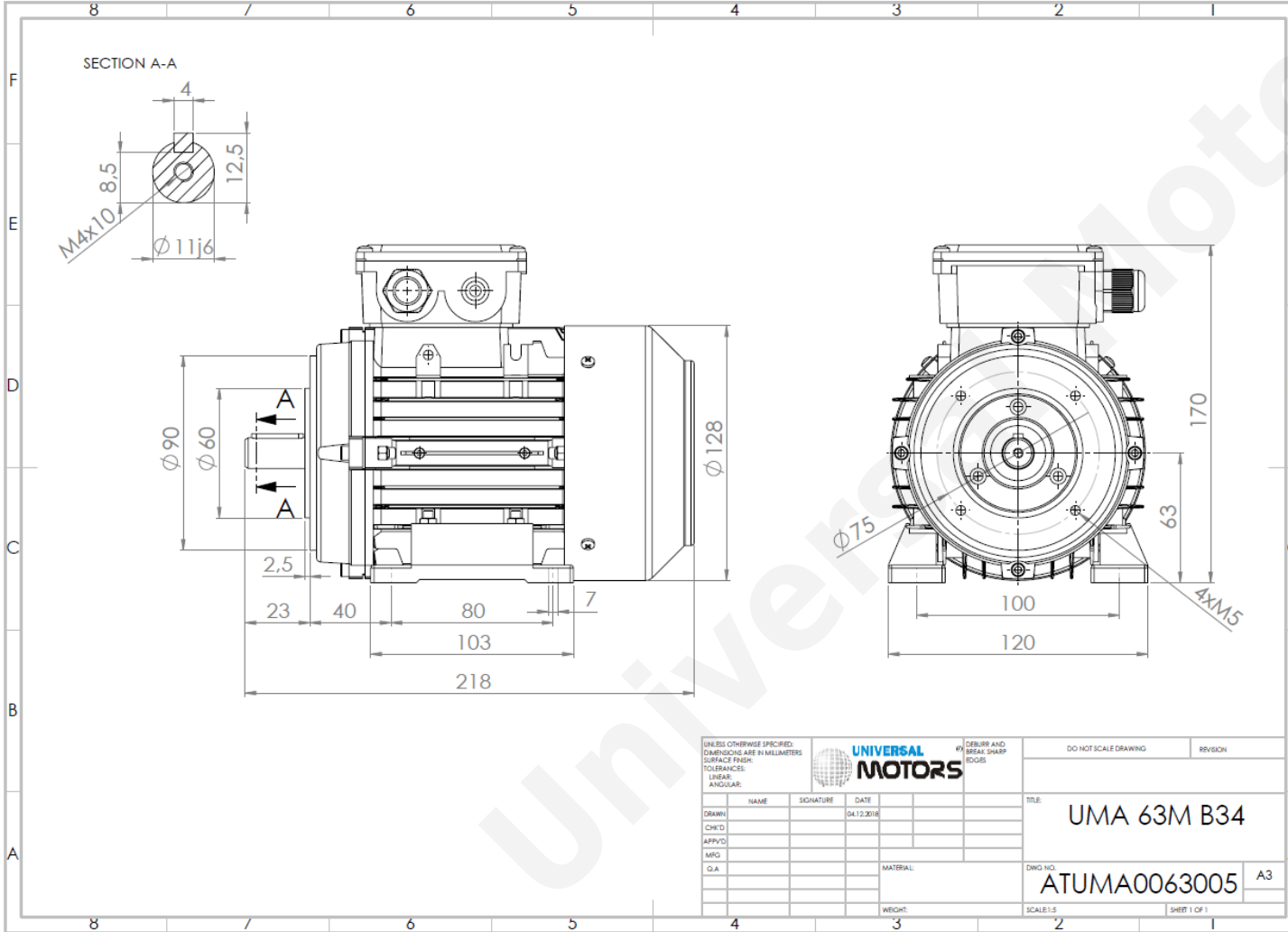




TECHNICAL DATA

Three Phase Electric Motors - Aluminum Frame
 UM2A 63M3-2
 0.37 kW / 0.50 Cv
 2840 RPM



| | |
|-----------------------------|--------------------------|
| Motor type: | UM2A 63M3-2 |
| Output: | 0.37 kW / 0.50 Cv |
| Speed (min ⁻¹): | 2840 RPM |
| Frequency: | 50 Hz |
| Voltage: | 400 V |
| Current: | 0.98 A |
| Power factor (Cos Ø): | 0.78 |
| Poles: | 2 |
| Insulation class: | F |
| Temperature rise Class: | B |
| Efficiency 50%: | 62.6 % |
| Efficiency 75%: | 68.5 % |
| Efficiency 100%: | 69.8 % |
| Torque: | 1.24 N.m |
| Tstarting/Tnominal: | 2.0 |
| Istarting/Inominal: | 5.1 |
| Tmaximum/Tnominal: | 2.4 |
| Noise: | 62 Db(A) |
| Weight: | 4.6 Kg |
| Bearing DE: | 6201 2Z |
| Bearing NDE: | 6201 2Z |

Regime - S1

Altitude - 1000m

Environment Temperature - 40°C

CONTACTS:

UNIVERSAL MOTORS Tel: +351 252 299 080
 Rua de São Brás,745 Fax: +351 252 299 089
 4480-782 VILA DO CONDE Mail: geral@universalmotors.pt

* References applied only in the UK